


SCI-S4060	2.5G quad network port, dual serial port, fanless flexible route, network security industrial computer
	<p>Key features:</p> <ul style="list-style-type: none"> ● Support intel Celeron processor and integrated intel core graphics card ● Support 1 SO-DIMM DDR4 memory slot, 2.5-inch SATA HDD, mSATA SSD ● 4 2.5G network ports, support wake-on-net, diskless boot, SIM built-in card slot, optional WIFI/Bluetooth/4G module ● 2 RS232 DB9 COM serial interfaces, and both support RS485 switching, HDMI high-definition display output ● BIOS supports Watchdog hardware reset, power-on and power-on function ● Compact and sturdy fully sealed aluminum alloy chassis and large-area aluminum fin fanless heat dissipation structure, wide temperature (-10 ~ 60°C) stable operation ● Mini and small is only the size of the palm of your hand, the host is black/silver optional, and supports embedded, wall-mounted, and desktop installation

Product Introduction

The SCI-S4060 fanless embedded computer is powered by an intel Celeron processor, supports DDR4 memory, and offers a variety of options in 2.5-inch SATA and mSATA storage. It is equipped with rich interfaces, including 2.5G LAN, COM RS232/485, USB, HDMI, etc., expandable WIFI/Bluetooth/4G module, and supports Windows and Linux systems.

The aluminum alloy shell of the whole machine has strong strength, the aluminum fin design quickly dissipates the heat of the host, and the internal cable-free fanless and fully enclosed structure effectively prevents dust from entering, ensuring the stable operation of the host in a wide temperature (-10 ~ 60°C) working environment. Embedded, wall-mounted, and desktop-mounted installation methods are fast and flexible for installation, and can be applied to industrial control, soft routing network security, cloud terminals, machine vision, mini servers, smart cities and other fields.

Specification Parameters

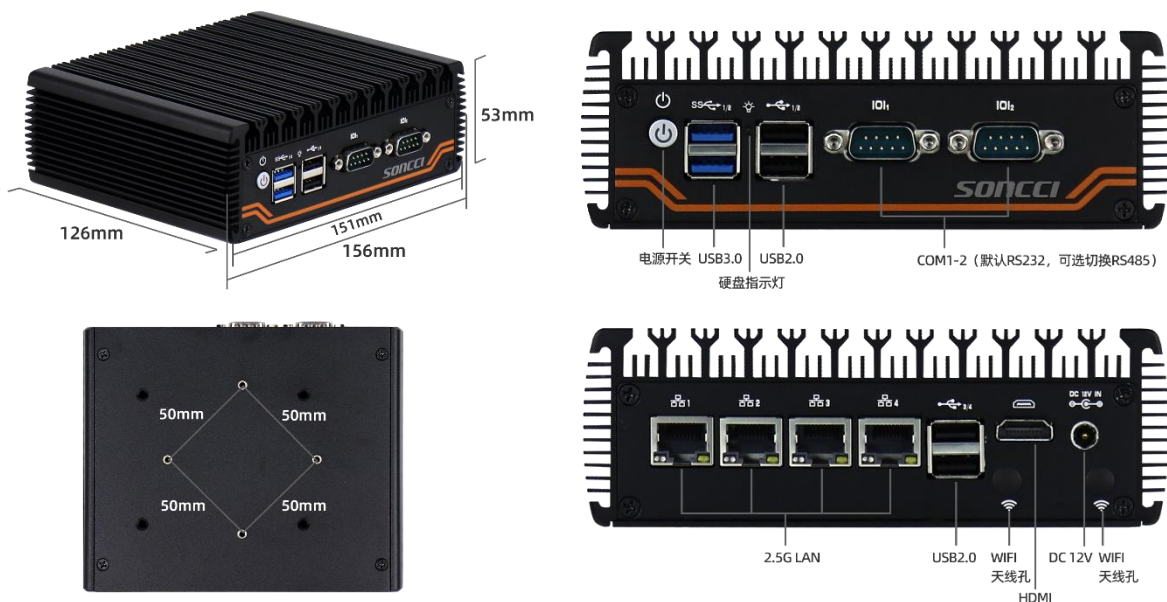
System	C P U	intel Celeron J4125 / J6412 / N100
	Display chips	Intel Core Graphics Card
	Memory Support	SO-DIMM DDR4
	Hard Drive Support	mSATA SSD/2.5" SATA HDD
	Network card chip	Intel i225 or i226 2.5G network interface card
	Audio chips	Integration
	Power characteristics	Input AC 220V, DC 12V power adapter
	Wireless Communication	Mini-PCIE slot (optional WIFI/Bluetooth/4G module)
	Operating System	Supports Windows/Linux
	B I O S	Support for power-on startup, scheduled startup, support for network wake-up, and diskless booting
	Watchdog	Watchdog supports hardware reset (256 levels, 0~255 seconds)

Interface	I/O Interface	6×USB、1×HDMI、4×2.5G LAN、2×COM、1×DC、1×Power、1×HDD LED
	Expand Interface	1×SIM built-in card slot, 1× Mini-PCIE
Structure	Installation method	Supports embedded, wall-mounted, and desktop installation
	Product Dimensions	Host: 156x126x53mm, Packaging: 205x175x120mm
	Product Weight	Net Weight: 0.9 kg, Gross Weight: 1.5 kg
	Material Color	Case Material: Aluminum Alloy Chassis, Main Unit Color: Black/Silver
Environment	Environmental Temperature	Work Environment: -10℃ to 60℃, Transportation and Storage Environment: -20℃ to 70℃, Relative Humidity: 5%-95% (No Condensation)
	Resistant to shocks	Vibration Resistance: 5~500Hz, 2Grms random vibration; Shock Resistance Working Condition: 10G@11ms
	Anti-interference static electricity	Anti-interference: EMI/EMC interference detection standards; ESD static: Contact discharge ±8KV, air discharge ±15KV

Product Image



Dimensional interfaces



Order Information

Product Model	Standard Configuration
SCI-S4060	intel J4125 / 4G / 64G SSD

Optional Accessories and Configuration Upgrades

Component Name	Description
Wall Mount Bracket	For installation on the back of a monitor or on a wall
Host Configuration	CPU options include J6412/N100, memory options are 8G/16G, and storage options include 128G/256G/512G/1TB SSD, as well as 500G/1TB/2TB 2.5-inch SATA hard drives. The system can be equipped with dual-band 2.4G/5G Wi-Fi, Bluetooth, or 4G modules. Two COM ports are provided with RS232 by default, and two optional RS485 ports are available. The case color options are black or silver.