


<b>SCI-S4080</b>	<b>Dual Network Interface 4 Serial Port Fanless Embedded Industrial Computer</b>
	<p><b>Key Features</b></p> <ul style="list-style-type: none"> <li>● Supports Intel Core i3, i5, i7 processors, integrated Intel Core graphics</li> <li>● Supports 1 SO-DIMM DDR3 memory slot, 2.5-inch SATA hard drive, mSATA solid-state drive</li> <li>● Two gigabit network ports, supporting network wake-up and diskless boot, with an integrated SIM card slot, optional Wi-Fi/Bluetooth/4G module</li> <li>● Four RS232 DB9 COM serial interfaces, COM2-3 support RS485 switching, HDMI+VGA dual display output</li> <li>● BIOS supports hardware reset via Watchdog watchdog and power-on startup function</li> <li>● A compact and sturdy full-sealed aluminum alloy housing with a large-area aluminum fin fanless cooling structure, stable operation over a wide temperature range (-10 ~ 60°C)</li> <li>● The host is available in black/silver, with options for flush mount, wall mount, or desktop installation</li> </ul>

**Product Introduction**

The SCI-S4080 fanless embedded industrial computer is equipped with an Intel Core processor, supports DDR3 memory, and offers a variety of storage options including 2.5-inch SATA and mSATA. It is equipped with a rich array of interfaces, including LAN, COM RS232/485, USB, and HDMI+VGA dual display outputs. It is also expandable with WIFI/Bluetooth/4G modules and supports both Windows and Linux operating systems.

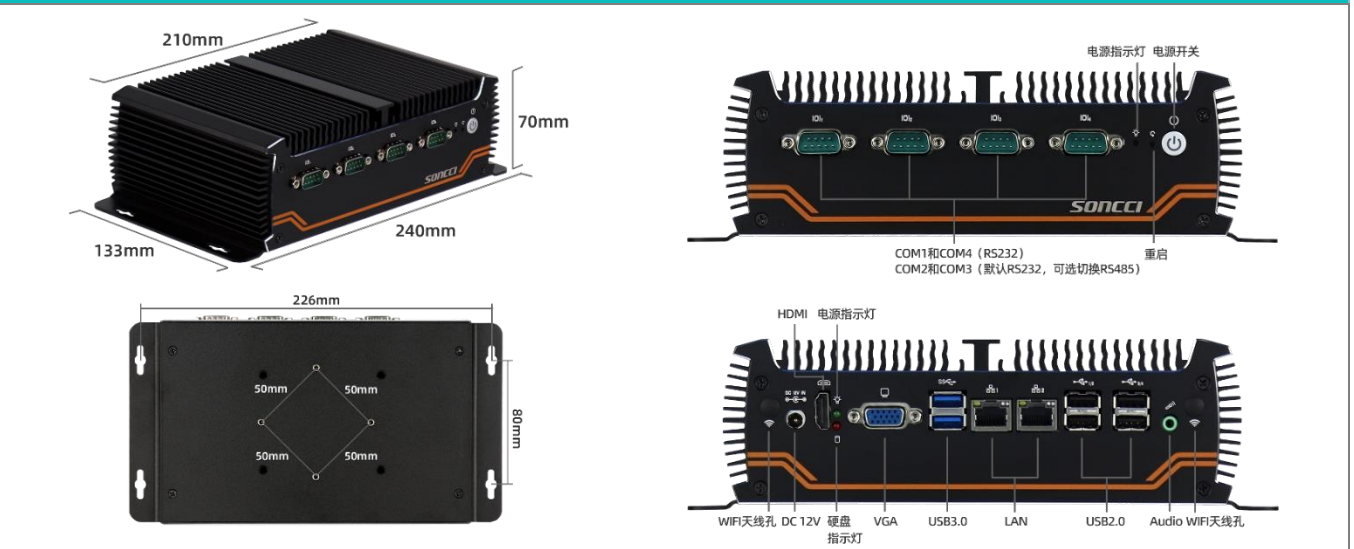
The whole-aluminum alloy shell has strong rigidity, and the aluminum fin design quickly dissipates the heat of the main unit. The internal structure without cables, fans, and the fully enclosed design effectively prevents dust from entering, ensuring stable operation of the main unit in a wide temperature range (-10 ~ 60°C). The embedded, wall-mounted, and desktop installation methods allow for quick and flexible installation, and it can be applied to fields such as industrial control, network communication, self-service terminals, security machine vision, mini servers, and smart cities.

Specimen Parameters		
<b>System</b>	<b>C P U</b>	intel Core i5-4300U / i7-4600U / i3-5005U
	<b>Display Chip</b>	Intel Core Graphics Card
	<b>Memory Support</b>	SO-DIMM DDR3
	<b>Hard Drive Support</b>	mSATA solid-state drive/2.5-inch SATA hard drive
	<b>Network Interface Card Chip</b>	Realtek RTL8111 Gigabit Network Card
	<b>Audio Chip</b>	Integration
	<b>Power Characteristics</b>	nput AC 220V, DC 12V power adapter
	<b>Wireless Communication</b>	Mini-PCIE slot (optional WIFI/Bluetooth/4G module)
	<b>Operating System</b>	Supports Windows/Linux
	<b>B I O S</b>	Support for power-on startup, scheduled startup, support for network wake-up, and diskless booting
<b>Interface</b>	<b>Watchdog</b>	The watchdog supports hardware reset (256 levels, 0 to 255 seconds)
	<b>Input/Output Interface</b>	6 USB ports, 1 HDMI port, 1 VGA port, 2 LAN ports, 1 audio port, 4 COM ports, 1 DC port, 1 power port, 1 reset button, 1 power LED, 1 HDD LED
<b>Structure</b>	<b>Expand Interface</b>	1x SIM card slot, 1x Mini-PCIE
	<b>Installation Method</b>	Supports embedded, wall-mounted, and desktop installation
	<b>Dimensions</b>	Dimensions: 240×133×70mm, Packaging: 305×305×135mm
	<b>Weight</b>	Net weight: 1.6 kg, Gross weight: 2.4 kg
<b>Environment</b>	<b>Material Color</b>	Case Material: Aluminum Alloy Chassis, Main Unit Color: Black/Silver 色
	<b>Environmental Temperature</b>	Work Environment: -10°C to 60°C, Transportation and Storage Environment: -20°C to 70°C, Relative Humidity: 5%-95% (No Condensation)
	<b>Vibration and shock resistance</b>	Vibration Resistance: 5~500Hz, 2Grms random vibration; Shock Resistance Working Condition: 10G@11ms
	<b>Anti-interference static electricity</b>	Anti-interference: EMI/EMC interference detection standards; ESD static: Contact discharge ±8KV, air discharge ±15KV

## Product Image



## Size Interface



## Order Information

<b>Product Model</b>	<b>Standard Configuration</b>
SCI-S4080	intel i3-5005U / 4G / 64G SSD

## Optional Accessories and Configuration Upgrades

Component Name	Description
<b>Wall Mount Bracket</b>	For installation on the back of a monitor or on a wall
<b>Host Configuration</b>	CPU options include i5-4300U or i7-4600U, memory options are 8G or 16G, and storage options include 128G, 256G, 512G, or 1TB SSD, as well as 500G, 1TB, or 2TB 2.5-inch SATA hard drives. Dual-band 2.4G/5G Wi-Fi, Bluetooth, or 4G modules can be added. Four COM ports are standard with RS232, and two additional ports can be switched to RS485. The case color options are black or silver.