


SCI-S5000R6	6-port network interface, serial port, GPIO, wide voltage, fanless embedded industrial computer
	<p>Key Features</p> <ul style="list-style-type: none"> ● Supports Intel Celeron/Core i3, i5, i7 processors, integrated with Intel Core graphics ● Supports 1 SO-DIMM DDR3/4 memory slot, 2.5-inch SATA hard drive, mSATA, and M.2 solid-state drive. ● Three gigabit network ports, supporting network wake-up and diskless boot, with SIM card slot, optional Wi-Fi/Bluetooth/4G module ● Equipped with 6 RS232 DB9 COM serial interfaces, each supporting RS485 switching with isolation, and featuring HDMI+VGA dual display output ● 1 piece of 12-pin Phoenix connector (including four input and four output GPIO/switch/5V), power-on startup button switch, wide voltage input of 9-36V ● A compact and sturdy full-sealed aluminum alloy housing with a large-area aluminum fin fanless cooling structure, stable operation over a wide temperature range (-10 ~ 60°C) ● Support hardware reset for Watchdog, with black/silver options for the host, supporting embedded, wall-mounted, and desktop installation

Product Introduction

The SCI-S5000R6 fanless embedded industrial computer is equipped with an Intel Celeron/Core processor, supports DDR3/4 memory, and offers a variety of storage options including 2.5-inch SATA, mSATA, and M.2. It is equipped with abundant interfaces and buttons, including LAN, COM RS232/485, USB, GPIO, power-on startup button switch, SIM card slot, and HDMI+VGA dual display. It supports DC input voltage ranging from 9V to 36V and can be expanded with WIFI/Bluetooth/4G modules, compatible with Windows and Linux systems.

The whole-aluminum alloy shell has strong rigidity, and the aluminum fin design quickly dissipates the heat of the main unit. The internal structure without cables, fans, and the fully enclosed design effectively prevents dust from entering, ensuring stable operation of the main unit in a wide temperature range (-10 ~ 60°C). The embedded, wall-mounted, and desktop installation methods allow for quick and flexible installation, and are suitable for industrial control, soft router security, self-service terminals, security machine vision, and smart city applications.

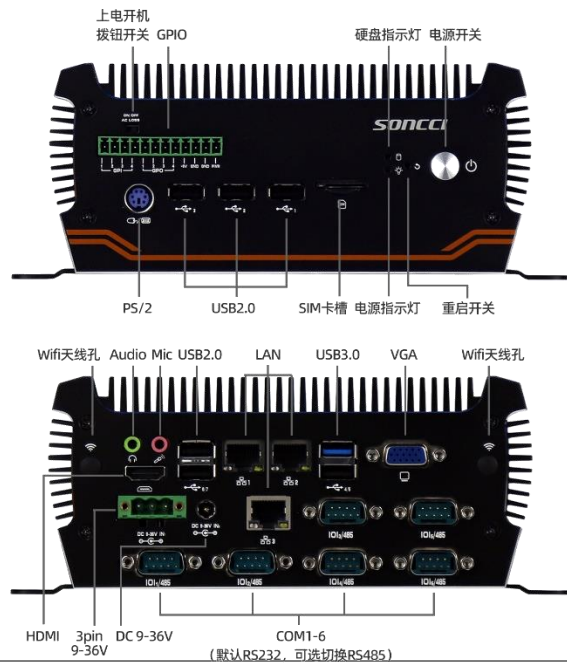
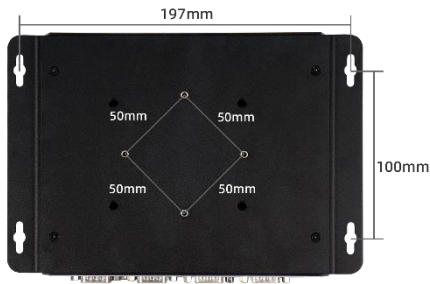
Specimen Parameters

System	C P U	intel 3865U / i3-5020U / i5-6300U / i7-6650U / i5-7200U / i7-7500U / i3-8145U / i5-8265U / i7-8565U / i5-10210U
	Display Chip	Intel Core Graphics Card
	Memory Support	SO-DIMM DDR3/DDR4
	Hard Drive Support	mSATA solid-state drive/2.5-inch SATA hard drive
	Network Interface Card Chip	Intel i211 Gigabit Network Card
	Audio Chip	Integration
	Power Characteristics	9 to 36V wide voltage range, with an external power adapter or an open power supply
	Wireless Communication	Mini-PCIE slot (optional WIFI/Bluetooth/4G module)
	Operating System	Supports Windows/Linux
	B I O S	Support for power-on startup, scheduled startup, support for network wake-up, and diskless booting
Interface	Input/Output Interface	7x USB, 1x HDMI, 1x VGA, 3x LAN, 1x PS/2, 1x Audio, 1x Mic, 6x COM, 1x AC Loss, 1x GPIO, 1x DC 9-36V, 1x 3-pin 9-36V, 1x Power, 1x Reset, 1x Power LED, 1x HDD LED
	Expand Interface	1x External SIM Card Slot, 1x Mini-PCIE
Structure	Installation Method	Supports embedded, wall-mounted, and desktop installation
	Product Dimensions	Dimensions: 211×147×82mm, Packaging: 305×305×135mm
	Product Weight	Net Weight: 1.8 kg, Gross Weight: 2.6 kg
	Material Color	Case Material: Aluminum Alloy Chassis, Main Unit Color: Black/Silver 色
Environment	Environmental Temperature	Work Environment: -10°C to 60°C, Transportation and Storage Environment: -20°C to 70°C, Relative Humidity: 5%-95% (No Condensation)
	Vibration and shock resistance	Vibration Resistance: 5~500Hz, 2Grms random vibration; Shock Resistance Working Condition: 10G@11ms
	Anti-interference static electricity	Anti-interference: EMI/EMC interference detection standards; ESD static: Contact discharge ±8KV, air discharge ±15KV

Product Image



Size Interface



Order Information

Product Model	Standard Configuration
SCI-S5000R6	Intel 3865U / 4G / 64G SSD

Optional Accessories and Configuration Upgrades

Component Name	Description
Wall Mount Bracket	For installation on the back of a monitor or on a wall
Host Configuration	CPU options include i3-5020U, i5-6300U, i7-6650U, i5-7200U, i7-7500U, i3-8145U, i5-8265U, i7-8565U, and i5-10210U; memory options are 8GB/16GB, and storage options include 128GB/256GB/512GB/1TB SSD, as well as 500GB/1TB/2TB 2.5-inch SATA hard drives. Dual-band 2.4G/5G Wi-Fi, Bluetooth, or 4G modules can be installed. The default 6 COM ports are RS232, with the option for 6 switchable RS485 ports. The case color options are black or silver.