


<b>SCI-S5010C10</b>	<b>Dual Network Interface 10 Serial Port GPIO Wide Voltage Fanless Embedded Industrial Computer</b>
	<p><b>Key Features</b></p> <ul style="list-style-type: none"> <li>● Supports Intel Celeron/Core i3, i5, i7 processors, integrated with Intel Core graphics</li> <li>● Supports 1 SO-DIMM DDR3/4 memory slot, 2.5-inch SATA hard drive, mSATA, and M.2 solid-state drive.</li> <li>● Two gigabit network ports, supporting network wake-up and diskless boot, with an external SIM card slot, optional Wi-Fi/Bluetooth/4G module</li> <li>● 10 RS232 DB9 COM serial interfaces, COM5-10 support RS485 switching, HDMI+VGA+DVI triple display</li> <li>● 1 piece of 12-pin Phoenix connector (including four input and four output GPIO/switch/5V), power-on startup button switch, wide voltage input of 9-36V</li> <li>● A compact and sturdy full-sealed aluminum alloy housing with a large-area aluminum fin fanless cooling structure, stable operation over a wide temperature range (-10 ~ 60°C)</li> <li>● Support hardware reset for Watchdog, with black/silver options for the host, supporting embedded, wall-mounted, and desktop installation</li> </ul>

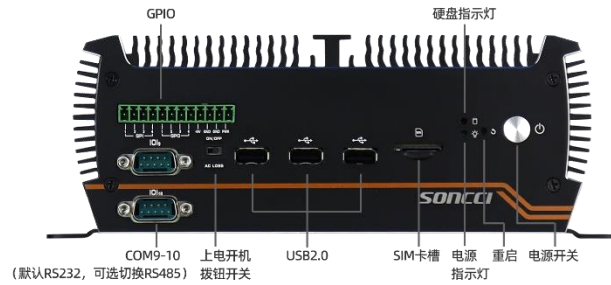
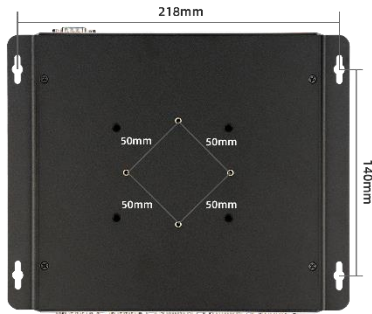
<b>Product Introduction</b>
<p>The SCI-S5010C10 fanless embedded industrial computer is equipped with an Intel Celeron/Core processor, supports DDR3/4 memory, and offers a variety of storage options including 2.5-inch SATA, mSATA, and M.2. It is equipped with abundant interfaces and buttons, including LAN, COM RS232/485, USB, GPIO, power-on startup button switch, SIM card slot, and HDMI+VGA+DVI triple display. It supports DC input voltage ranging from 9V to 36V and can be expanded with WIFI/Bluetooth/4G modules, compatible with Windows and Linux systems.</p> <p>The whole-aluminum alloy shell has strong rigidity, and the aluminum fin design quickly dissipates the heat of the main unit. The internal structure without cables, fans, and a fully enclosed design prevents dust from entering, ensuring stable operation of the main unit in a wide temperature range (-10 ~ 60°C). The flexible installation methods include embedded, wall-mounted, and desktop installation, and it can be used in fields such as industrial control, transportation, self-service terminals, security machine vision, mini servers, and smart cities.</p>

<b>Specimen Parameters</b>		
<b>System</b>	<b>C P U</b>	intel J1900 / 3865U / i3-5020U / i5-4310U / i5-6300U / i7-6650U / i5-7200U / i5-7360U / i7-7500U / i3-8145U / i5-8265U
	<b>Display Chip</b>	Intel Core Graphics Card
	<b>Memory Support</b>	SO-DIMM DDR3/DDR4
	<b>Hard Drive Support</b>	mSATA solid-state drive/2.5-inch SATA hard drive
	<b>Network Interface Card Chip</b>	Intel i211 Gigabit Network Card
	<b>Audio Chip</b>	Integration
	<b>Power Characteristics</b>	9 to 36V wide voltage range, with an external power adapter or an open power supply
	<b>Wireless Communication</b>	Built-in Mini-PCIe slot (optional Wi-Fi/Bluetooth/4G module)
	<b>Operating System</b>	Supports Windows/Linux
	<b>B I O S</b>	Support for power-on startup, scheduled startup, support for network wake-up, and diskless booting
<b>Watchdog</b>	The watchdog supports hardware reset (256 levels, 0 to 255 seconds)	
<b>Interface</b>	<b>Input/Output Interface</b>	7x USB, 1x HDMI, 1x VGA, 1x DVI, 2x LAN, 1x Audio, 1x Mic, 10x COM, 1x PS/2, 1x AC Loss, 1x GPIO, 1x DC 9-36V, 1x 3-pin 9-36V, 1x Power, 1x Reset, 1x Power LED, 1x HDD LED
	<b>Expand Interface</b>	1x SIM card slot, 1x Mini-PCIE
<b>Structure</b>	<b>Installation Method</b>	Supports embedded, wall-mounted, and desktop installation
	<b>Product Dimensions</b>	Dimensions: 232×192×82mm, Packaging: 305×305×135mm
	<b>Product Weight</b>	Net weight: 2.5 kg, Gross weight: 3.3 kg
	<b>Material Color</b>	Case Material: Aluminum Alloy Chassis, Main Unit Color: Black/Silver 色
<b>Environment</b>	<b>Environmental Temperature</b>	Work Environment: -10°C to 60°C, Transportation and Storage Environment: -20°C to 70°C, Relative Humidity: 5%-95% (No Condensation)
	<b>Vibration and shock resistance</b>	Vibration Resistance: 5~500Hz, 2Grms random vibration; Shock Resistance Working Condition: 10G@11ms
	<b>Anti-interference static electricity</b>	Anti-interference: EMI/EMC interference detection standards; ESD static: Contact discharge ±8KV, air discharge ±15KV

## Product Image



## Size Interface



## Order Information

<b>Product Model</b>	<b>Standard Configuration</b>
SCI-S5010C10	Intel 3865U / 4G / 64G SSD

## Optional Accessories and Configuration Upgrades

Component Name	Description
<b>Wall Mount Bracket</b>	For installation on the back of a monitor or on a wall
<b>Host Configuration</b>	CPU options include Intel J1900, i3-5020U, i5-4310U, i5-6300U, i7-6650U, i5-7200U, i5-7360U, i7-7500U, i3-8145U, and i5-8265U; memory options are 8GB/16GB; storage options include 128GB/256GB/512GB/1TB SSD, 500GB/1TB/2TB 2.5-inch SATA hard drives; dual-band 2.4G/5G Wi-Fi, Bluetooth, or 4G module can be added; 10 COM ports are standard with RS232, and 6 additional ports can be switched to RS485; the case color options are black or silver.