

## 18.5" full plane capacitive screen aluminum alloy fanless industrial panel PC

Key features:

- Support intel Celeron/Core i3, i5, i7 CPU, DDR3/4 memory, mSATA, M.2, 2.5 inch SATA hard drive
- Screen: 18.5" LED screen, resolution 1920×1080, aluminum alloy front panel IP65 waterproof, optional capacitive touch screen or resistive touch screen
- Support power-on and power-on, built-in double horns, high and low temperature resistance (-20°C to 60°C) uninterrupted and stable operation, with grounding terminals
- It can be expanded to 6 COM ports, supports HDMI or VGA screen expansion display, and can choose anti-vibration buffer waterproof adhesive strip
- 1 Gigabit LAN port (optional dual network port, WIFI Bluetooth or 4G module, optional addition of 9-36V wide voltage module).
- The chassis is sturdy and beautiful, with aluminum fins fanless + built-in dual copper pipes for more efficient heat dissipation, and supports embedded/VESA bracket and other installation methods



### Product Introduction

SCP-K185WR/WZ aluminum alloy industrial panel PC is equipped with intel Celeron/Core processor, data storage supports mSATA, M.2, 2.5-inch SATA, rich USB, LAN and other interfaces, expandable COM port, WIFI Bluetooth or 4G module, optional 9-36V wide voltage for use In the environment where the voltage is unstable, the optional anti-vibration buffer waterproof adhesive strip can better prevent moisture from penetrating into the cabinet, which has been widely used in the industrial field and embedded equipment, and is also equipped with HDMI or VGA video output for extended display, supporting Windows and Linux systems.

It supports a wide temperature environment (-20°C to 60°C), aluminum fin fanless + built-in dual copper tube design, ensuring more efficient heat dissipation and strong shock resistance, making it a more reliable industrial platform and providing safe grounding components to protect equipment more effectively. Screen: 18.5-inch LED backlit industrial screen, aluminum alloy front panel meets IP65 waterproof standard, optional full-plane capacitive touch screen or resistive touch screen.

The embedded and VESA mounting methods can be quickly and flexibly installed in various environments, and can be applied to industrial automation, military heavy industry, power communications, smart government affairs, medical education, visual logistics, advertising display, digital signage, smart city and other fields.

### Specifications

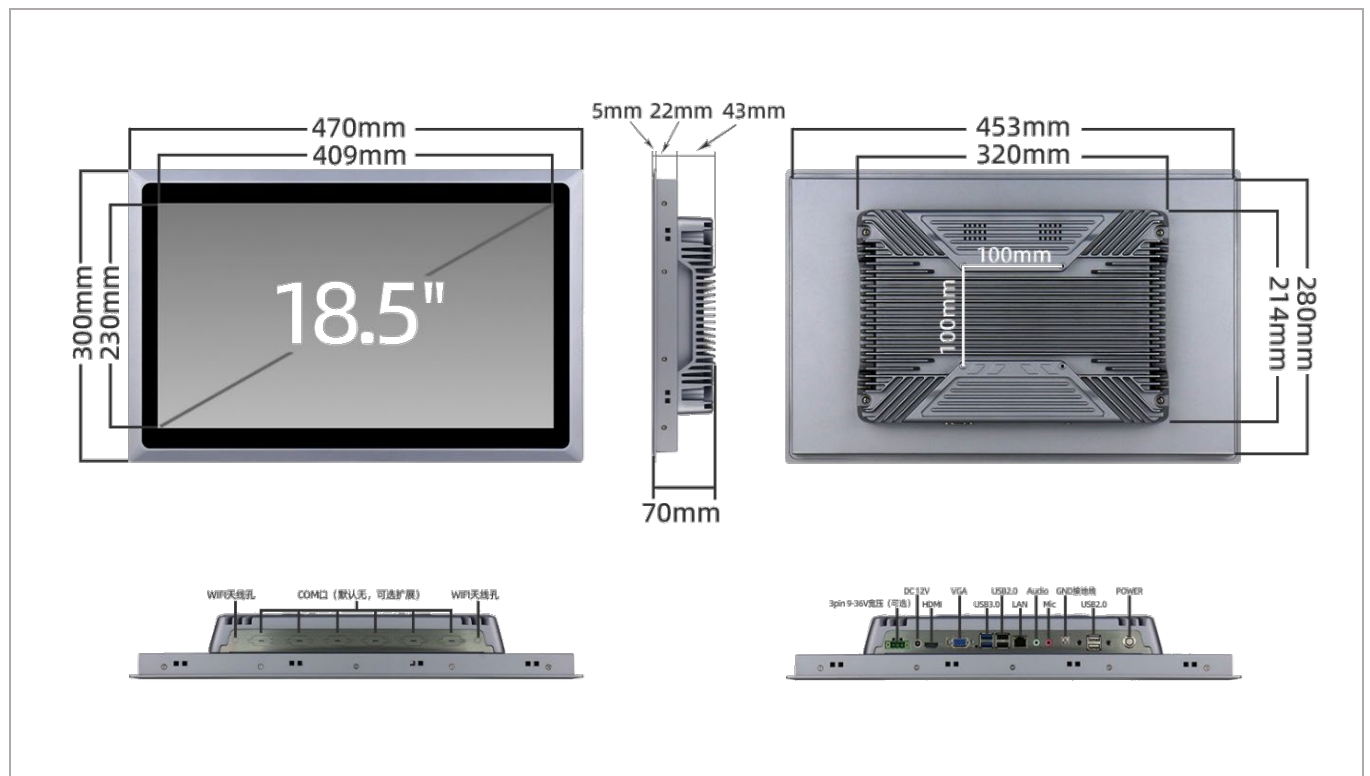
system		Structure	
CPU	intel Celeron/J1900/J4125/J6412、Core i3/i5/i7	Front panel	Aluminum alloy: 4mm to thickness, 2mm to thin
Display the core	Intel core graphics	Ingress protection	The front panel is IP65 waterproof and dustproof
Memory support	DDR3/4 SO-DIMM	Chassis material	Sheet metal panel with ground terminals
Hard disk support	SSD solid state drives	Heat dissipation	Fanned or fanless cooling
Network chips	Gigabit Ethernet	Installation	Embedded, VESA mount type (100×100mm)
Audio chips	Integrated audio chip (built-in dual speakers	Product dimensions	470×300×70mm
Wireless communications	1 MINI-PCIE SLOT (OPTIONAL WIFI MODULE).	Recessed cut-outs	453×280mm
Power supply characteristics	Input AC 220V, DC 12V power adapter	Package size	535×455×155mm
Power on and on	Yes (Disabled by default, need to be enabled in BIOS)	Product color	Silver (grayish tint)
operating system	Support Windows/Linux	Product weight	Net weight 6.3kg, gross weight 7.7kg
Display		Environment	
Screen type	18.5"LED, 169 widescreen, 1366×768/1920×1080	Interference resistance	EMI/EMC interference detection standards
Color contrast	16.7M, 1000:1	ESD static	The contact discharge ± 8KV, the air discharge

		electricity	± 15KV
Screen brightness	300~500cd/m <sup>2</sup>	Vibration resistance	5~500Hz, 2Grms random vibration
Viewing angle	Horizontal 160° / Vertical 150°	Shock resistant	Working Status: 10G@11ms, Non-Working Status: 20G@11ms
Viewable area	409x230mm	Working environment	-10°C ~ 50°C
Touch the screen	Optional full-plane capacitive touch screen or resistive touch screen	Storage environment	-20°C ~ 60°C
Surface hardness	Hardness ≥ 7H or ≥ 4H	relative humidity	10%~90% (no condensation)
I/O interface			
6×USB、1×VGA、1×HDMI、1×LAN、1×Audio、1×Mic、6×COM、1×Power、1×DC 12V、1×2pin、1×GND			

Product images



Dimensional interfaces



Ordering Information

Model	Touch	size	resolution	CPU	Memory	SSD	SATA	LAN	COM	HDMI	VGA	USB2.0	USB3.0	Power
SCP-K185WR/WZ (J1900)	Capacitive Screen / Resistive Screen	18.5 "	1920×1080	J1900/2.0 GHz	DDR3	1	1	1-2	optional	1	1	5	1	DC 12V
SCP-K185WR/WZ (J4125)	Capacitive Screen / Resistive Screen	18.5 "	1920×1080	J4125/2.0GHz	DDR4	1	1	1-2	optional	1	1	4	2	DC 12V
SCP-K185WR/WZ (J6412)	Capacitive Screen / Resistive Screen	18.5 "	1920×1080	J6412/2.0GHz	DDR4	1	1	1-2	optional	1	1	4	2	DC 12V
SCP-K185WR/WZ (N4000)	Capacitive Screen / Resistive Screen	18.5 "	1920×1080	N4000/1.1GHz	DDR4	1	1	1-2	optional	1	1	4	2	DC 12V
SCP-K185WR/WZ (4205U)	Capacitive Screen / Resistive Screen	18.5 "	1920×1080	4205U/1.8GHz	DDR4	1	1	1-2	optional	1	1	4	2	DC 12V
SCP-K185WR/WZ (5205U)	Capacitive Screen / Resistive Screen	18.5 "	1920×1080	5205U/1.9GHz	DDR4	1	1	1-2	optional	1	1	4	2	DC 12V
SCP-K185WR/WZ (i5-3320M)	Capacitive Screen / Resistive Screen	18.5 "	1920×1080	i5-3320M/2.6 GHz	DDR3	1	1	1-2	optional	1	1	4	2	DC 12V
SCP-K185WR/WZ (i3-4005U)	Capacitive Screen / Resistive Screen	18.5 "	1920×1080	i3-4005U/1.7GHz	DDR3	1	1	1-2	optional	1	1	4	2	DC 12V
SCP-K185WR/WZ (i5-4210U)	Capacitive Screen / Resistive Screen	18.5 "	1920×1080	i5-4210U/1.7GHz	DDR3	1	1	1-2	optional	1	1	4	2	DC 12V
SCP-K185WR/WZ (i5-6200U)	Capacitive Screen / Resistive Screen	18.5 "	1920×1080	i5-6200U/2.3 GHz	DDR3	1	1	1-2	optional	1	1	4	2	DC 12V
SCP-K185WR/WZ (i3-7100U)	Capacitive Screen / Resistive Screen	18.5 "	1920×1080	i3-7100U/2.4 GHz	DDR3	1	1	1-2	optional	1	1	4	2	DC 12V
SCP-K185WR/WZ (i5-7200U)	Capacitive Screen / Resistive Screen	18.5 "	1920×1080	i5-7200U/2.5GHz	DDR3	1	1	1-2	optional	1	1	4	2	DC 12V
SCP-K185WR/WZ (i7-7500U)	Capacitive Screen / Resistive Screen	18.5 "	1920×1080	i7-7500U/2.7GHz	DDR3	1	1	1-2	optional	1	1	4	2	DC 12V
SCP-K185WR/WZ (i7-7820HQ)	Capacitive Screen / Resistive Screen	18.5 "	1920×1080	i7-7820HQ/2.9 GHz	DDR4	1	1	1-2	optional	1	1	2	4	DC 12V
SCP-K185WR/WZ (i3-8145U)	Capacitive Screen / Resistive Screen	18.5 "	1920×1080	i3-8145U/2.1GHz	DDR4	1	1	1-2	optional	1	1	2	4	DC 12V
SCP-K185WR/WZ (i5-8257U)	Capacitive Screen / Resistive Screen	18.5 "	1920×1080	i5-8257U/1.4GHz	DDR4	1	1	1-2	optional	1	1	2	4	DC 12V
SCP-K185WR/WZ (i5-8259U)	Capacitive Screen / Resistive Screen	18.5 "	1920×1080	i5-8259U/2.3GHz	DDR4	1	1	1-2	optional	1	1	2	4	DC 12V
SCP-K185WR/WZ (i5-8265U)	Capacitive Screen / Resistive Screen	18.5 "	1920×1080	i5-8265U/1.6GHz	DDR4	1	1	1-2	optional	1	1	2	4	DC 12V
SCP-K185WR/WZ (i5-8279U)	Capacitive Screen / Resistive Screen	18.5 "	1920×1080	i5-8279U/2.4GHz	DDR4	1	1	1-2	optional	1	1	2	4	DC 12V
SCP-K185WR/WZ (i5-8350U)	Capacitive Screen / Resistive Screen	18.5 "	1920×1080	i5-8350U/1.7GHz	DDR4	1	1	1-2	optional	1	1	2	4	DC 12V
SCP-K185WR/WZ (i5-8365U)	Capacitive Screen / Resistive Screen	18.5 "	1920×1080	i5-8365U/1.6GHz	DDR4	1	1	1-2	optional	1	1	2	4	DC 12V
SCP-K185WR/WZ (i7-8565U)	Capacitive Screen / Resistive Screen	18.5 "	1920×1080	i7-8565U/1.8GHz	DDR4	1	1	1-2	optional	1	1	2	4	DC 12V
SCP-K185WR/WZ (i5-10210U)	Capacitive Screen / Resistive Screen	18.5 "	1920×1080	i5-10210U/1.6GHz	DDR4	1	1	1-2	optional	1	1	2	4	DC 12V
SCP-K185WR/WZ (i3-1125G4)	Capacitive Screen / Resistive Screen	18.5 "	1920×1080	i3-1125G4/2.0GHz	DDR4	1	1	1-2	optional	1	1	4	2	DC 12V
SCP-K185WR/WZ (i5-1135G7)	Capacitive Screen / Resistive Screen	18.5 "	1920×1080	i5-1135G7/2.4GHz	DDR4	1	1	1-2	optional	1	1	4	2	DC 12V
SCP-K185WR/WZ (i7-1165G7)	Capacitive Screen / Resistive Screen	18.5 "	1920×1080	i7-1165G7/2.8GHz	DDR4	1	1	1-2	optional	1	1	4	2	DC 12V
SCP-K185WR/WZ (i5-11320H)	Capacitive Screen / Resistive Screen	18.5 "	1920×1080	i5-11320H/3.2GHz	DDR4	1	1	1-2	optional	1	1	4	2	DC 12V
SCP-K185WR/WZ (i7-11390H)	Capacitive Screen / Resistive Screen	18.5 "	1920×1080	i7-11390H/3.4GHz	DDR4	1	1	1-2	optional	1	1	4	2	DC 12V
SCP-K185WR/WZ (6-12th Core)	Capacitive Screen / Resistive Screen	18.5 "	1920×1080	6/7/8/9/10/11/12th Core	DDR4	1	1	1-2	optional	1	1	4	2	DC 12V
SCP-K185WR/WZ (13-14th Core)	Capacitive Screen / Resistive Screen	18.5 "	1920×1080	13/14th Core	DDR5	1	1	1-2	optional	1	1	4	2	DC 12V

Configuration upgrade

name	description	remark
Memory sticks	4G / 8G / 16G	Optional
hard disk	64G / 128G / 256G / 512G / 1TB SSD, 500G / 1TB / 2TB 2.5-inch SATA hard drive	Optional
Wireless communication	2.4G/5G dual-band WIFI, Bluetooth or 4G module	Optional
LAN port	1-2 Gigabit Ethernet ports are optional	Optional
COM port	6 COM ports default RS232, optional 1-3 switch RS485/422	Optional
Case color	argent	Standard

## Accessories list

name	description	quantity	remark
Recessed snaps	For flush mounting	4	Standard
Power adapter	DC 12V 5A power adapter	1	Standard
Power cord	National standard, European standard, British standard, American standard, etc., the length can be 1.5m / 2m / 3m / 5m / 10m	1	Optional
Warranty card	Soncci logo / neutral	1	Optional
Certificate	Soncci logo / neutral	1	Optional
Wall mount bracket	The VESA100×100mm hole is used for wall mounting	1	Optional
Desk stand	The VESA100×100mm hole is used for mounting on the desktop	1	Optional