


SCP-D150SR/SZ	15" Full Plane Capacitive Screen Aluminum Alloy Industrial Panel PC
	<p>Key features:</p> <ul style="list-style-type: none"> ● Support intel Celeron/Core i3, i5, i7 CPU, DDR3/4 memory, mSATA, M.2, 2.5-inch SATA hard drives ● Screen: 15" LED industrial screen, resolution 1024×768, aluminum alloy front panel IP65 waterproof, optional capacitive touch screen or resistive touch screen ● Support power-on and boot, built-in double horns, high and low temperature resistance (-10 to 50°C) uninterrupted and stable operation, support grounding wire ● 6 DB9 RS232 COM ports, optional RS422/485 switching, optional waterproof adhesive strip, support HDMI or VGA expansion display ● 1 Gigabit LAN port (optional dual LAN port), 1 MINI-PCIE slot (optional WIFI Bluetooth or 4G module). ● Rugged metal chassis with or without fan for efficient heat dissipation, supporting embedded/VESA bracket and other mounting methods

Product Introduction

SCP-D 150SR/SZ Aluminum Alloy Panel PC is equipped with intel Celeron/Core processor, and the data storage supports mSATA, M.2, 2.5 inch SATA, rich COM (RS232/422/485), USB, LAN and other interfaces, expandable WIFI Bluetooth or 4G module, The optional waterproof adhesive strip is used in industrial and embedded devices to better prevent moisture from penetrating into the cabinet, and is also equipped with HDMI or VGA video output for extended display, support for Windows and Linux systems.

It supports a wide temperature range (-10 to 50°C) and its streamlined design ensures efficient heat dissipation and strong shock resistance, making it a reliable industrial platform with safe grounding components to protect equipment more effectively. The screen adopts a 15-inch LED backlit industrial screen, the aluminum alloy front panel meets the IP65 waterproof standard, and the full plane capacitor is optional Touch screen or resistive touch screen.

The embedded and VESA mounting methods can be quickly and flexibly installed in various environments, and can be applied to industrial automation, power communication, medical education, transportation, logistics and warehousing, smart cities and other fields.

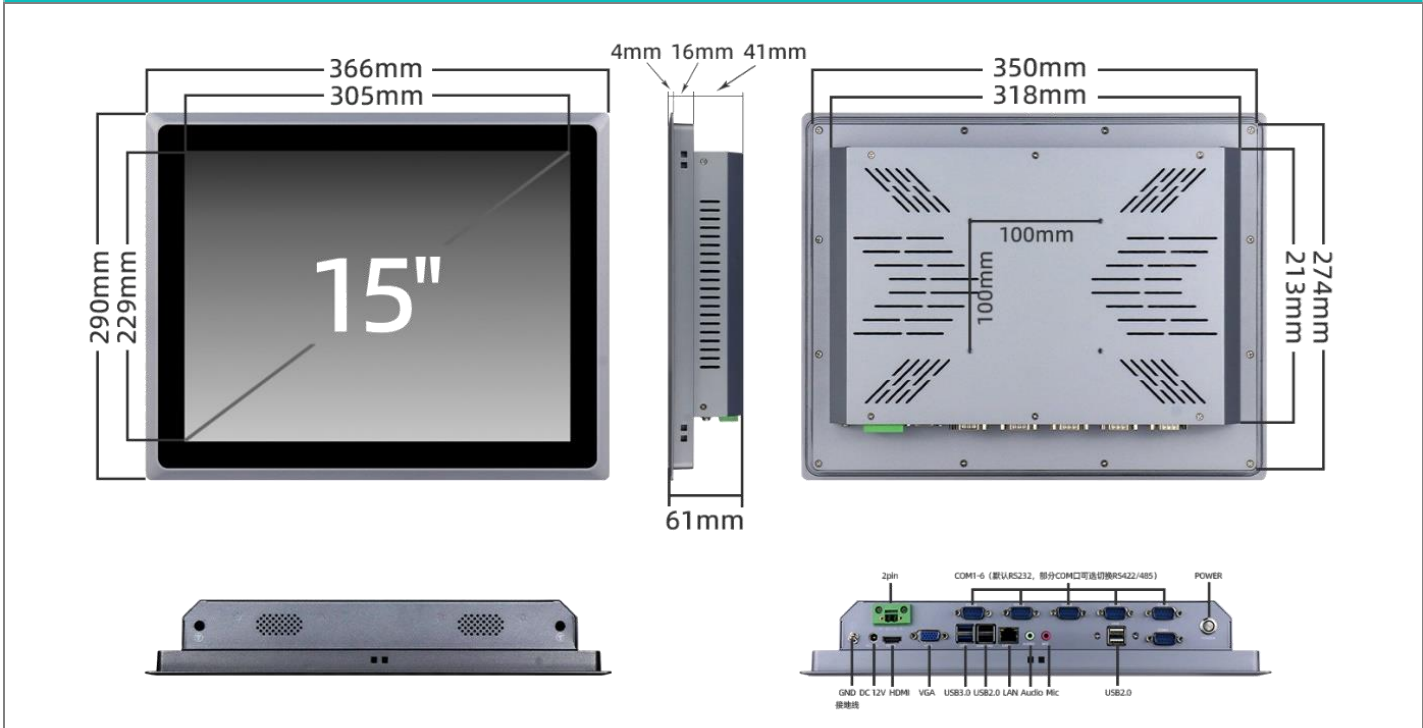
Specifications

system		Structure	
C P U	intel Celeron J1900	Front panel	Aluminum alloy: 4mm to thickness, 2mm to thin
Display the core	Intel core graphics	Ingress protection	The front panel is IP65 waterproof and dustproof
Memory support	4G DDR3 SO-DIMM	Chassis material	Sheet metal panel with ground terminals
Hard disk support	64G SSD SSD	Heat dissipation	Fanned or fanless cooling
Network chips	Gigabit Ethernet	Installation	Embedded, VESA mount type (100×100mm)
Audio chips	Integrated audio chip (built-in dual speakers).	Product dimensions	366×290×61mm
Wireless communications	1 MINI-PCIE SLOT (OPTIONAL WIFI MODULE).	Recessed cut-outs	350×274mm
Power supply characteristics	Input AC 220V, DC 12V power adapter	Package size	435×415×140mm
Power on and on	Yes (Disabled by default, need to be enabled in BIOS)	Product color	Silver (grayish tint)
operating system	Support Windows/Linux	Product weight	Net weight 3.6kg, gross weight 4.8kg
Display		Environment	
Screen type	15" LED, 43 front screen, 1024×768 @60Hz	Interference resistance	EMI/EMC interference detection standards
Color contrast	16.7M, 1000:1	ESD static electricity	The contact discharge ±8KV, the air discharge ±15KV
Screen brightness	300~500cd/m ²	Vibration resistance	5~500Hz, 2Grms random vibration
Viewing angle	Horizontal 160° / Vertical 150°	Shock resistant	Working Status: 10G@11ms, Non-Working Status: 20G@11ms
Viewable area	305×229mm	Working environment	-10°C~50°C
Touch the screen	Optional full-plane capacitive touch screen or resistive touch screen	Storage environment	-20°C~60°C
Surface hardness	Hardness ≥ 7H or ≥ 4H	relative humidity	10%~90% (no condensation)
I/O interface			
6×USB、1×VGA、1×HDMI、1×LAN、1×Audio、1×Mic、6×COM、1×Power、1×DC 12V、1×2pin、1×GND			

Product images



Dimensional interfaces



Ordering Information

Product model	Standard configuration
SCP-D150SR	15" Full Planar Capacitive Touch Screen/Aluminum Front Panel / Intel J1900/4G/64G SSD/Single Gigabit Ethernet port/GND/6COM/Silver
SCP-D150SZ	15" Resistive Touch Screen / Aluminum Alloy Front Panel / Intel J1900 / 4G / 64G SSD / Single Gigabit Ethernet Port /GND / 6COM / Silver

Optional accessories and configuration upgrades

The name of the accessory	description
Wall mount bracket	VESA100×100mm holes for wall mounting
Desk stand	The VESA100×100mm hole is used for mounting on the desktop
Host configuration	The CPU can choose J4125/J6412/Core i3, i5, i7, memory can choose 8G/16G, hard disk can choose 128G/256G/512G/1TB SSD, 500G/1TB/2TB 2.5-inch hard disk, and the network port can choose dual network ports. It can be equipped with 2.4G/5G dual-band WIFI, Bluetooth or 4G module, 6 COM ports default RS232, optional 1-2 switching RS422/485.